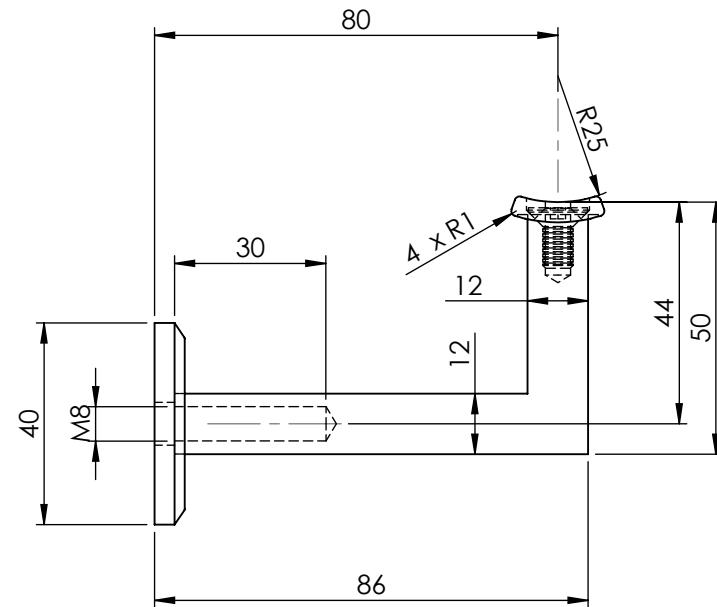


DETAIL ITEM (5)



ITEM NO.	PART NUMBER	DESCRIPTION	QTY.
1	B-CS-M6-12	BOLT-C/SUNK-M6X12MM	1
2	SCS-5-40	SCREW-C/SUNK-5MMX40MM	2
3	SS606CT-1	ARM	1
4	SS606CT-2	RAIL MOUNT	1
5	SS606CT-3	BASE	1
6	LAG SCREW-M8-80	LAG SCREW-M8X80MM	1

DRAWN	B DOOLAN	20/07/2016
CHK'D	M ROTH	20/07/2016
MATERIAL	316 STAINLESS STEEL	
FINISH	POLISHED	
WEIGHT		

CAT NO:	<b>SS606CT</b>	REV: <b>A</b>
DESCRIPTION:		

**EMROWARE™**  
www.emro.com.au

This drawing has been made with due care and attention however Emro do not accept any responsibility for variations. This drawing and information contained is the property of Emro and cannot be used without their consent.

ARCHITECTURAL STAIR RAIL BRACKET-  
COMPLIES WITH AUSTRALIAN  
STANDARD AS1428.1-2009