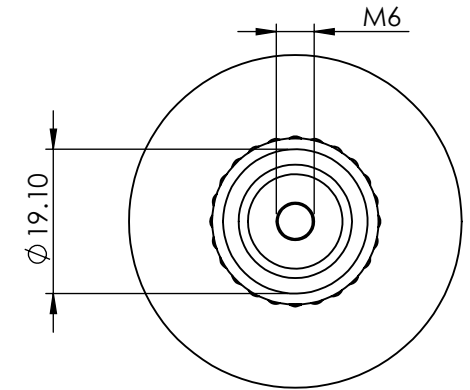
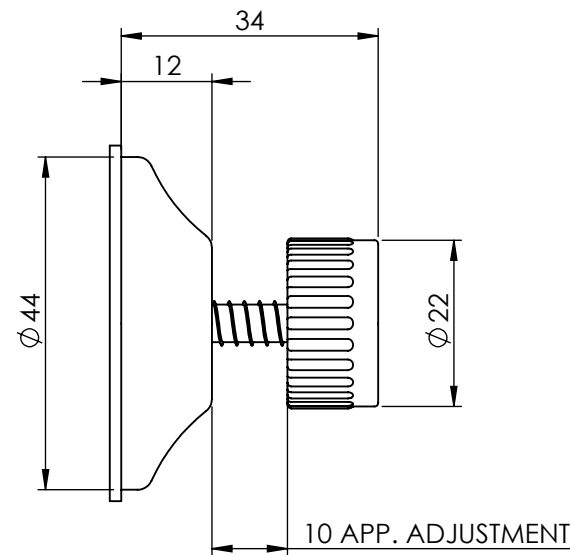


DETAIL ITEM ④



ITEM NO.	PART NUMBER	DESCRIPTION	QTY.	DRAWN	B DOOLAN	14/07/2017	CAT NO:	REV: A
1	412-1	ROD SOCKET END-THREADED	1	CHK'D	E MAHON	14/07/2017	412	
2	412-1	ROD SOCKET END	1	MATERIAL	ZINC ALLOY			
3	412-2	ADJUSTER	1	FINISH	CHROME			
4	412-3	RUBBER CUSHION	2	WEIGHT				
5	MSCS-0.25-1	MACHINE SCREW-C/SUNK PHIL-1/4"x1"	1					
							SCREWLESS ROD SOCKET-SUITS 16MM & 19MM RODS	
				www.emro.com.au			<small>This drawing has been made with due care and attention however Emro do not accept any responsibility for variations. This drawing and information contained is the property of Emro and cannot be used without their consent.</small>	