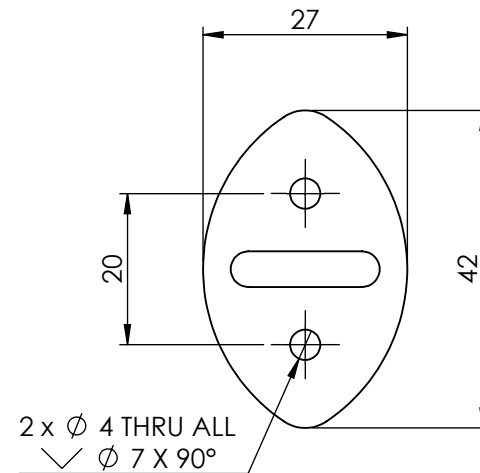
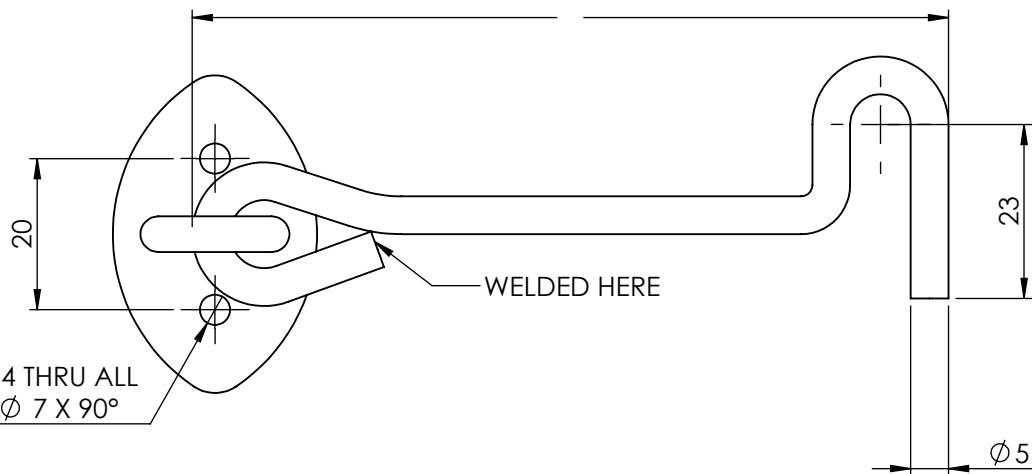


L - 500



ITEM NO.	PART NUMBER	DESCRIPTION	QTY.	DRAWN	B DOOLAN	18/06/2014	CAT NO:	REV: A
				CHK'D	U WAUGE	18/06/2014		
1	144-1	HOOK	1	MATERIAL	304 STAINLESS STEEL		144	
2	146	RETAINER	2	FINISH	SATIN			
3	SCS-3.5-25	SCREW-C/SUNK-3.5MMX25MM	4	WEIGHT				
							DESCRIPTION: HOOK CABIN-ANTI VANDAL	
				www.emro.com.au				
				<small>This drawing has been made with due care and attention however Emro do not accept any responsibility for variations. This drawing and information contained is the property of Emro and cannot be used without their consent.</small>				